

1902 Maxlok

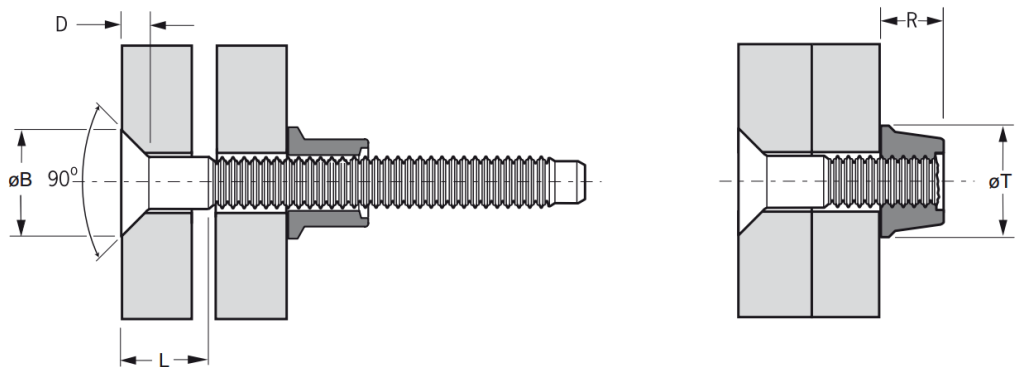
Steel - Countersunk head
4.8 mm (3/16")

Features

- Multi grip capability reduces inventory, simplifies stock control, and accommodates wide variations in material thickness
- High shear strength for high strength assembly
- High, controlled clamp provides excellent vibration resistance
- Quick to install across a wide range of applications
- Easy to inspect tampering
- High security tamper resistance - TIR approved

Material

- Pin: Medium carbon steel, zinc plated, clear trivalent passivated
- Collar: Low carbon steel, zinc plated, clear trivalent passivated



Part No. Pin	Part No. Collar	Size ø	Grip Range		Hole Size	øB	D	L	R	øT	Shear (typical) kN	Tension (typical) kN
			nom.	min.								
01902-70610	01981-70600	4.8 (3/16")	2.4	15.9	5.16	8.9	2.2	4.3	8.7	10.1	8.25	10.01
01902-70620			7.9	31.7				9.4				

Assembly Applications

- Commercial vehicles
- Heating and ventilation
- Frame building

